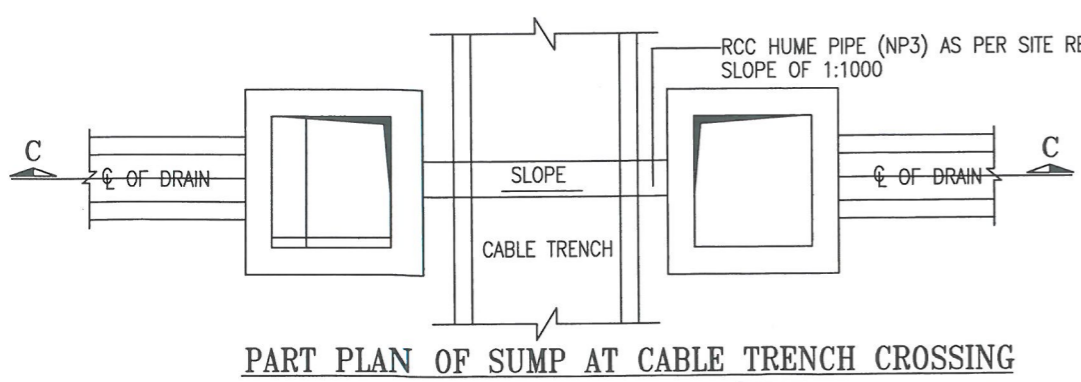
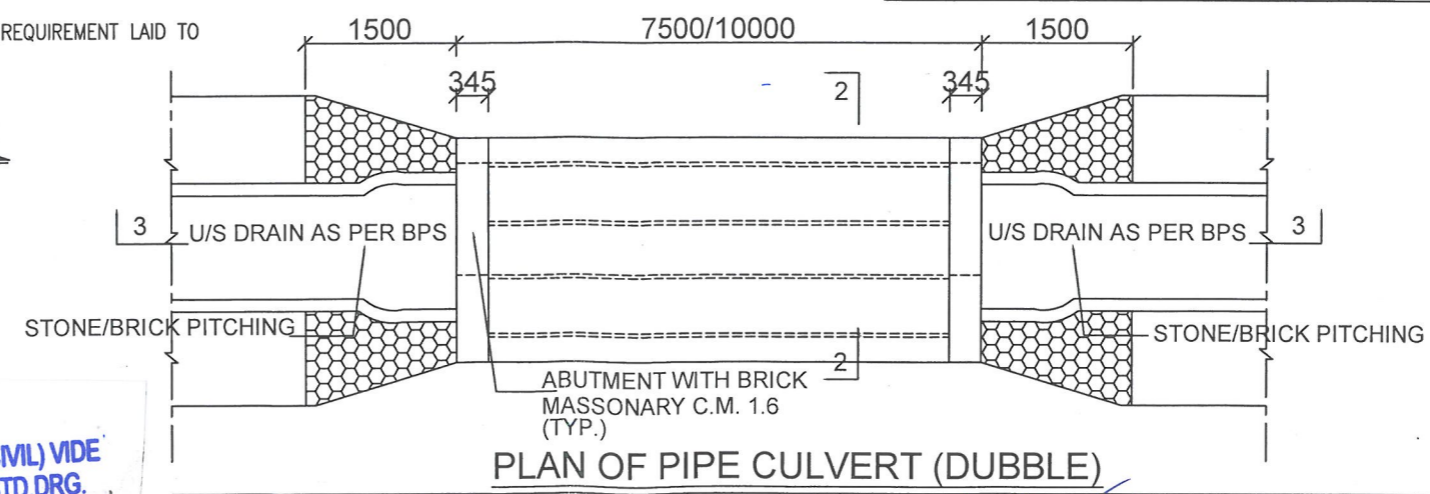
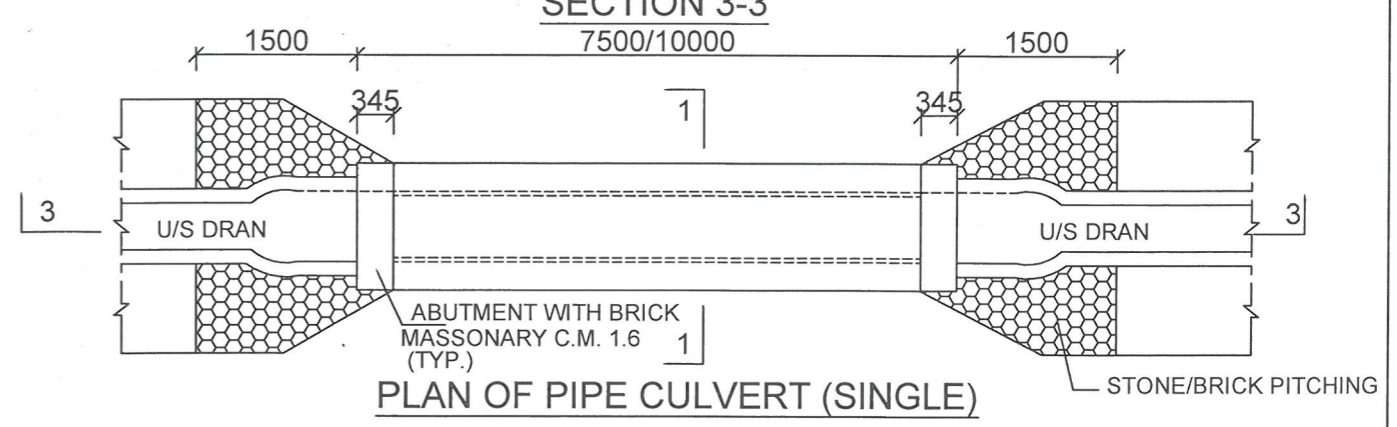
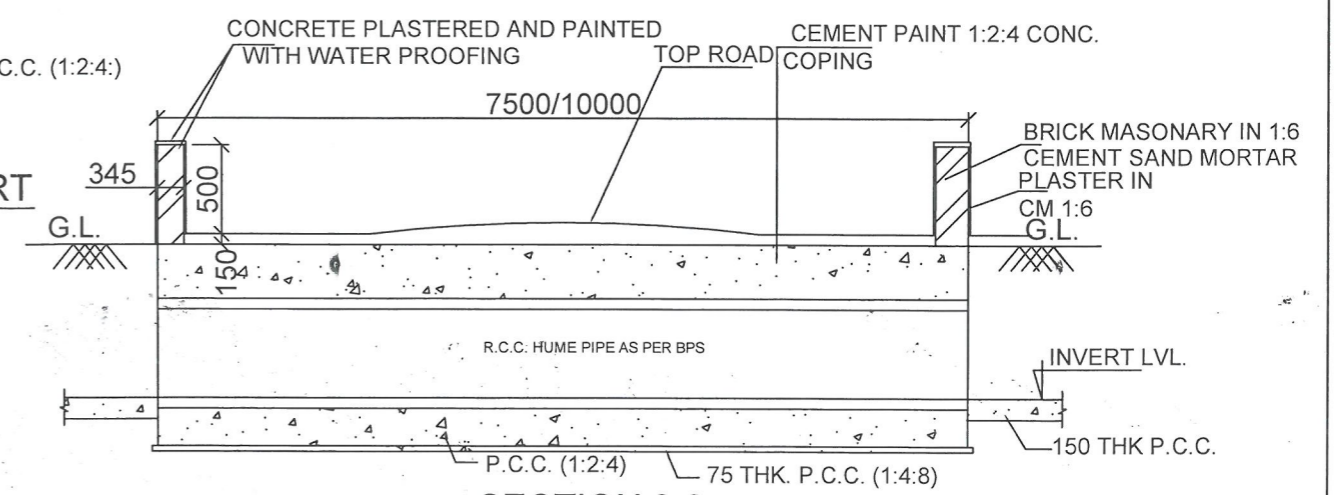
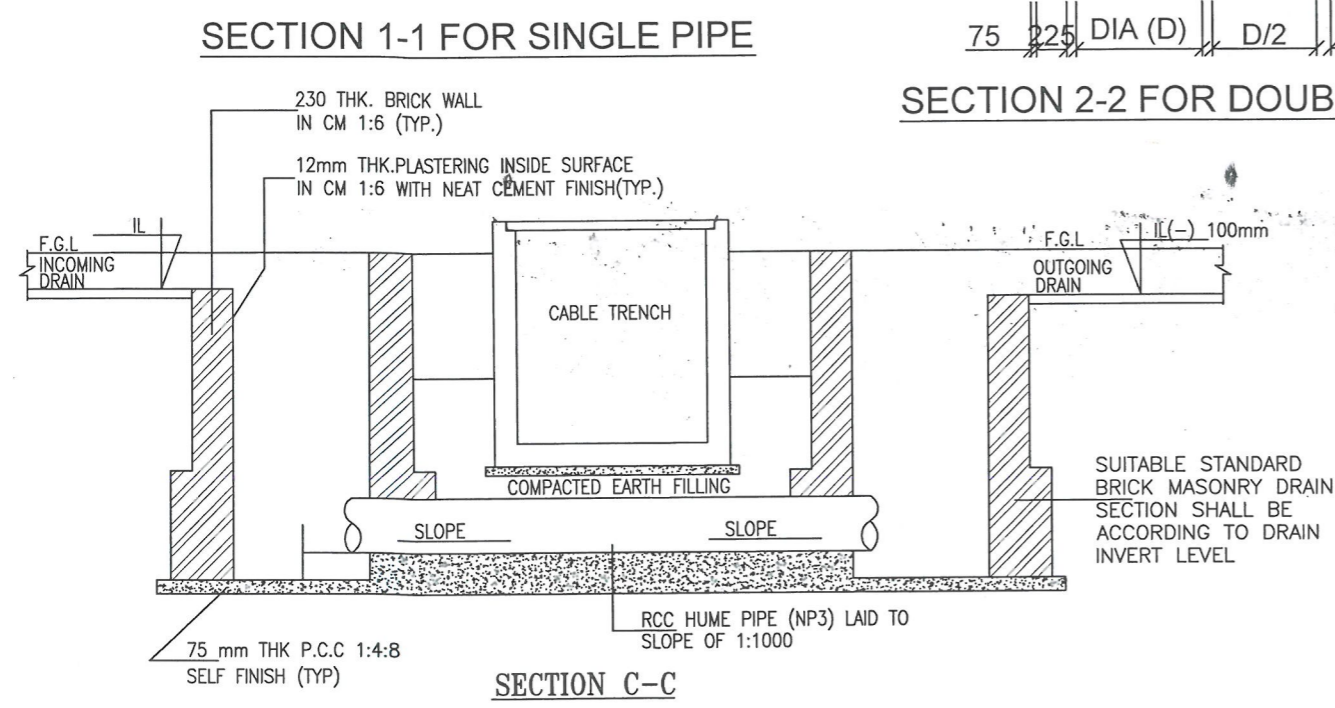


NOTES:-

1. ALL DIMENSIONS ARE IN MM.
2. DO NOT SCALE THE DRG.
3. RCC HUME PIPE SHALL BE OF GRADE NP3.
4. CLASS 75 BRICKS SHALL BE USED.
5. CONCRETE MIX USE FOR COVERING RCC PIPE SHALL BE 1:2:4(1 CEMENT: 2 COURSE SAND: 4 STONE AGGREGATE OF 20 MM NORNINAL SIZE)
6. LEAN CONCRETE SHALL BE 1:4:8 (1 CEMENT: 4 COURSE SAND: 8 STONE AGGREGATE OF 40 MM NORNINAL SIZE)
7. BRICK MASSONARY SHALL BE DONE USING CEMENT MORTAR (1CEMENT: 6 COURSE SAND)

IMP:

1. SUITABLE SECTION SHALL BE ADOPTED AS PER SITE CONDITIONS



APPROVED BY ED (ENGG.TL-SS-CIVIL) VIDE
NOTE REFERENCE NO. C/ENGG/STD.DRG.
Civil Works/03/2016 DTD. 20.12.2016

RELEASED FOR TENDER/CONSTRUCTION.

POWER GRID CORPORATION
OF INDIA LIMITED
(A Government of India Enterprise)

TITLE:
STANDARD ROAD CULVERTS

SUB TITLE:
DETAIL OF ROAD
CULVERTS

REV.	DESCRIPTION	PREP. JE(ENGG-CIVIL)	REVD. ACDE (ENGG-CIVIL)	REVD. CDE (ENGG-CIVIL)	REVD. ASTT.GM(ENGG-CIVIL)	REVD. AGM (ENGG-CIVIL)	APPD. GM (ENGG-CIVIL)	DATE
0.	REVISED AS MARKED							

DRAWING NO:
C/ENGG/STD/ROAD CULVERTS/2016/01 OF 01

SCALE
NTS

REV
0